

Technical data sheet



Product features

Fry Top Griddle electric smooth durable chrome

Model	SAP Code	00021107
--------------	-----------------	----------



- Top type: Smooth
- Griddle dimensions [mm x mm]: 650 x 480 + 320 x 380 + 320 x 380
- Griddle thickness [mm]: 10.00
- Container for liquid fat: Yes
- Independent heating zones: Separate control for each heating zone on the bottom plate and for the top plates
- Maximum device temperature [°C]: 300
- Surface finish: polished chrome 0.03 mm
- Removable rim: No

SAP Code	00021107	Power electric [kW]	12.000
Net Width [mm]	660	Loading	2x 230 V / 1N - 50 Hz + 400 V / 3N - 50 Hz
Net Depth [mm]	660	Griddle dimensions [mm x mm]	650 x 480 + 320 x 380 + 320 x 380
Net Height [mm]	400	Top type	Smooth
Net Weight [kg]	72.00		

Technical data sheet



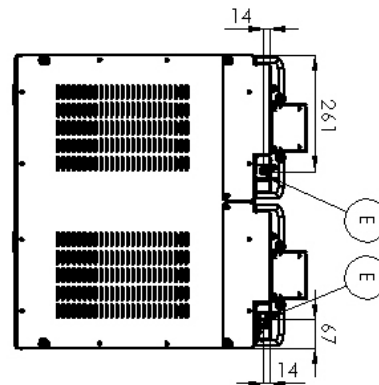
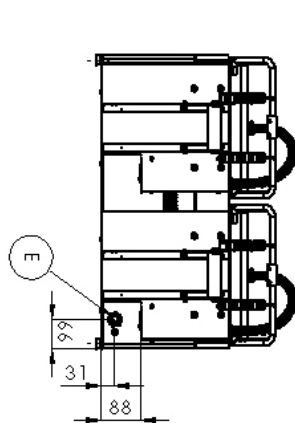
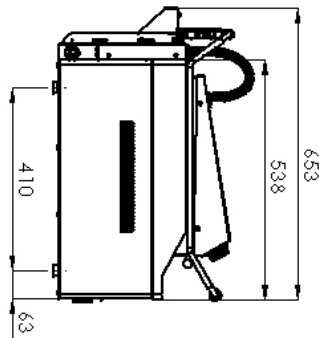
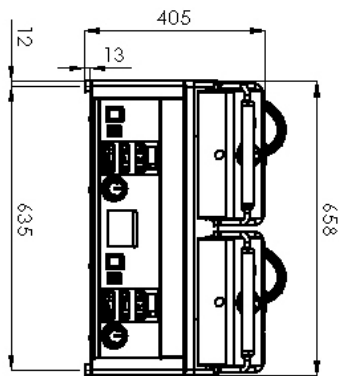
Technical drawing

Fry Top Griddle electric smooth durable chrome

Model

SAP Code

00021107



Technical data sheet



Technical parameters

Fry Top Griddle electric smooth durable chrome

Model

SAP Code

00021107

1. SAP Code:

00021107

2. Net Width [mm]:

660

3. Net Depth [mm]:

660

4. Net Height [mm]:

400

5. Net Weight [kg]:

72.00

6. Gross Width [mm]:

710

7. Gross depth [mm]:

725

8. Gross Height [mm]:

540

9. Gross Weight [kg]:

75.00

10. Device type:

Electric unit

11. Construction type of device:

Table top

12. Power electric [kW]:

12.000

13. Loading:

2x 230 V / 1N - 50 Hz + 400 V / 3N - 50 Hz

14. Protection of controls:

IPX4

15. Exterior color of the device:

Stainless steel

16. Material:

AISI 430

17. Indicators:

operation and warm-up

18. Surface finish:

polished chrome 0.03 mm

19. Maximum device temperature [°C]:

300

20. Minimum device temperature [°C]:

50

21. Griddle dimensions [mm x mm]:

650 x 480 + 320 x 380 + 320 x 380

22. Griddle thickness [mm]:

10.00

23. Container for liquid fat:

Yes

24. Independent heating zones:

Separate control for each heating zone on the bottom plate and for the top plates

25. Removable rim:

No

26. Uniform heating:

Yes

Technical data sheet

Technical parameters



Fry Top Griddle electric smooth durable chrome

Model

SAP Code

00021107

27. Top type:

Smooth

28. Cross-section of conductors CU [mm²]:

10

– Výkon (kW): 5,7-6,6 (230 V); 9,8-11 (400 V)